

Autonics High Accuracy PID Temperature Controller TK4 SERIES INSTRUCTION MANUAL



Thank you for choosing our Autonics product. Please read the following safety considerations before use.

Safety Considerations

Please observe all safety considerations for safe and proper product operation to avoid hazards. symbol represents caution due to special circumstances in which hazards may occur.

- Warning Failure to follow these instructions may result in serious injury or death.
Caution Failure to follow these instructions may result in personal injury or product damage.

Warning

- 1. Fail-safe device must be installed when using the unit with machinery that may cause serious injury or substantial economic loss.
2. Install on a device panel to use.
3. Do not connect, repair, or inspect the unit while connected to a power source.
4. Check 'Connections' before wiring.
5. Do not disassemble or modify the unit.

Caution

- 1. When connecting the power input and relay output, use AWG 20 (0.50mm²) cable or over and tighten the terminal screw with a tightening torque of 0.74-0.90Nm.
2. Use the unit within the rated specifications.
3. Use dry cloth to clean the unit, and do not use water or organic solvent.
4. Do not use the unit in the place where flammable/explosive/corrosive gas, humidity, direct sunlight, radiant heat, vibration, impact, or salinity may be present.
5. Keep metal chip, dust, and wire residue from flowing into the unit.

Ordering Information

TK 4 N - 1 4 R N
OUT2 control output, OUT1 control output, Power supply, Input/Output option, Size, Digit, Item

- 1. In case of TK4N/SP Series, option control selection and digital input will be limited due to number of terminals.
2. 'S' represents SSR drive output support models which SSR function (standard ON/OFF, cycle, phase) control are available.
3. Select 'R' or 'C' type in case of using heating/cooling control and 'N' type in case of using standard control.

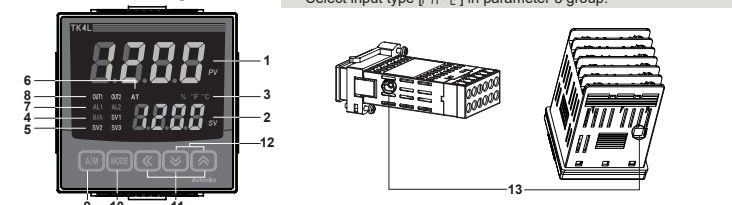
Shaded descriptions are upgraded or added functions from the before TK Series. The above specifications are subject to change and some models may be discontinued without notice. Be sure to follow cautions written in the instruction manual, user manual and the technical descriptions (catalog, homepage).

Specifications

Table with columns: Series, Power supply, Allowable voltage range, Power consumption, Display method, Character size, Input type, Display accuracy, Control output, Alarm output, Option output, Option input, Control method, Hysteresis, Proportional band, Integral time, Derivative time, Control period, Manual reset value, Sampling period, Dielectric strength, Vibration, Relay life cycle, Insulation resistance, Noise immunity, Memory retention, Environ -ment, Protection, Insulation type, Approval, Weight.

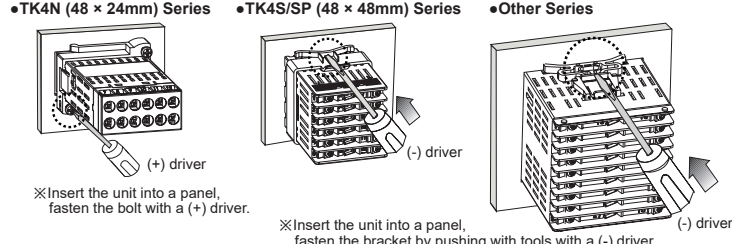
At room temperature range (23°C±5°C): Thermocouple K, J, T, N, E type, below -100°C / Thermocouple L, U, PLII, Cu50Ω, DPT 50Ω; Thermocouple R, S, B, C, G type: (PV ±0.5% or ±5°C, select the higher one) ±1-digit

Unit Description



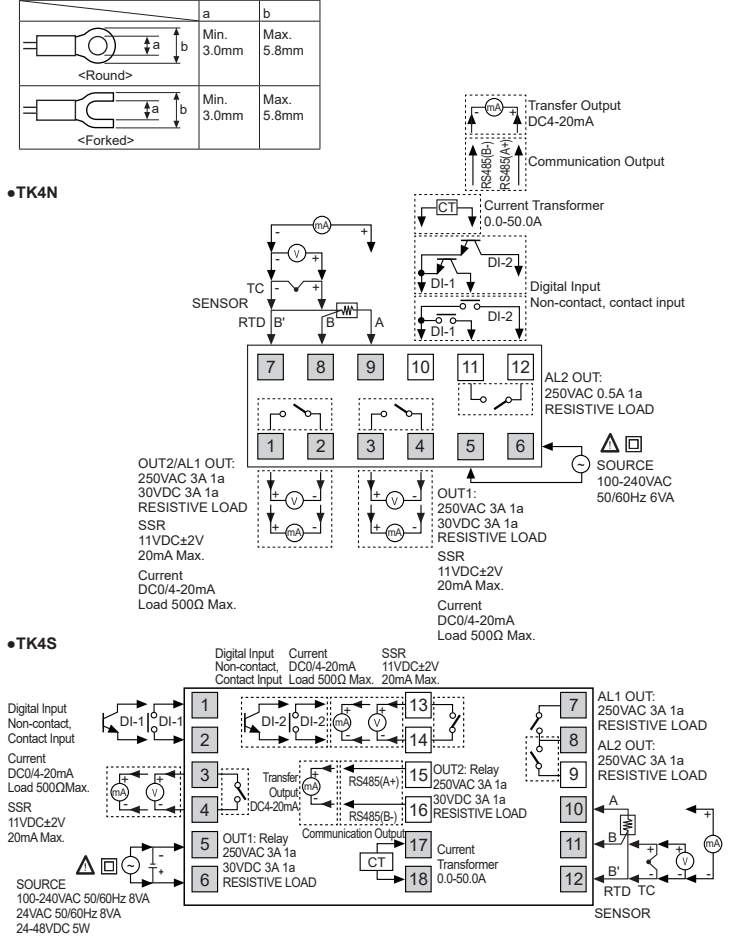
- 1. Measured value (PV) display part: RUN mode: It displays currently measured value (PV). Setting mode: It displays the parameter.
2. Set value (SV) display part: RUN mode: It displays the set value (SV). Setting mode: It displays the set value of the parameter.
3. Manual (C/F/F%) indicator: It displays the unit set at display unit [unit] in parameter 3 group.
4. Unit control indicator: It turns ON during manual controlling.
5. Multi SV indicator: One of SV1 to 3 lamps will be ON in case of selecting multi SV function.
6. Auto tuning indicator: It flashes by 1 sec. when executing auto tuning.
7. Alarm output (AL1, AL2) indicator: It turns ON when the alarm output is ON.
8. Control output (OUT1, OUT2) indicator: It turns ON when the control output is ON.
9. Key: It is used when switching auto control to manual control.
10. key: It is used when entering parameter groups, returning to RUN mode, moving parameter, saving the set value.
11. keys: It is used when entering the set value changing mode and moving or changing up/down digit.
12. Digital input key: When pressing + keys for 3 sec. at the same time, it operates the function (RUN/STOP, alarm clear, auto tuning) set at digital input key [di - v] in parameter 5 group.
13. PC loader port: It is the PC loader port for serial communication to set parameter with DAQMaster installed in PC. Use this for connecting SCM-US (USB/Serial converter, sold separately).

Installation

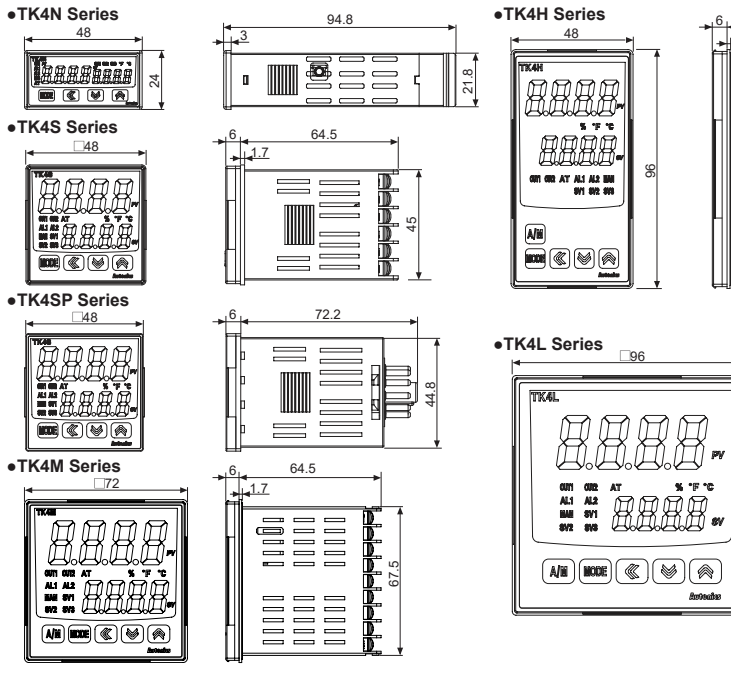


Connections

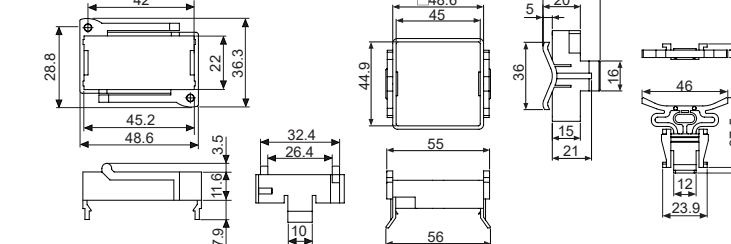
Standard model has shaded terminals only. When the operation mode of heating/cooling OUT2 relay output model is heating or cooling control, the OUT2 is usable as alarm output 3 (except TK4N Series). When the operation mode of heating/cooling OUT2 current output model is heating or cooling control, the OUT2 is usable as transmission output 2.



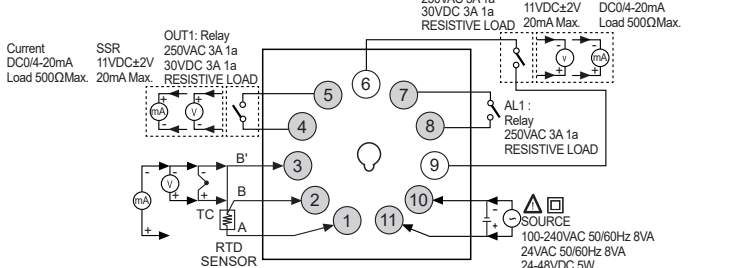
Dimensions



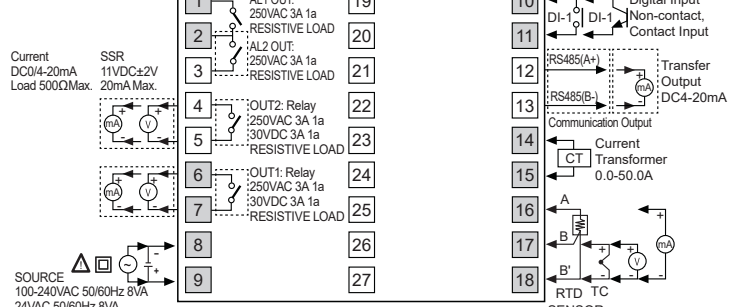
Bracket



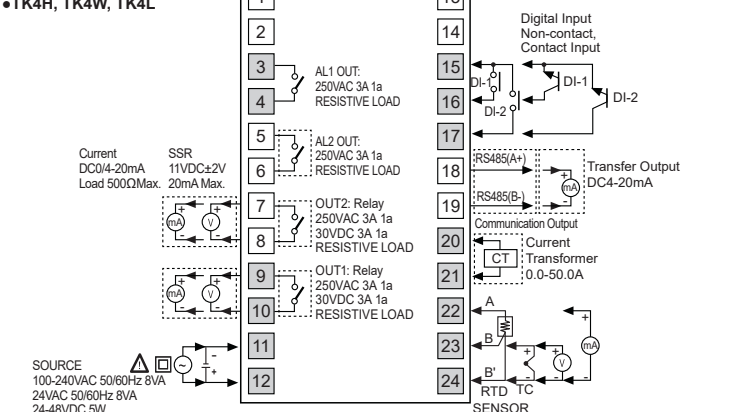
TK4SP



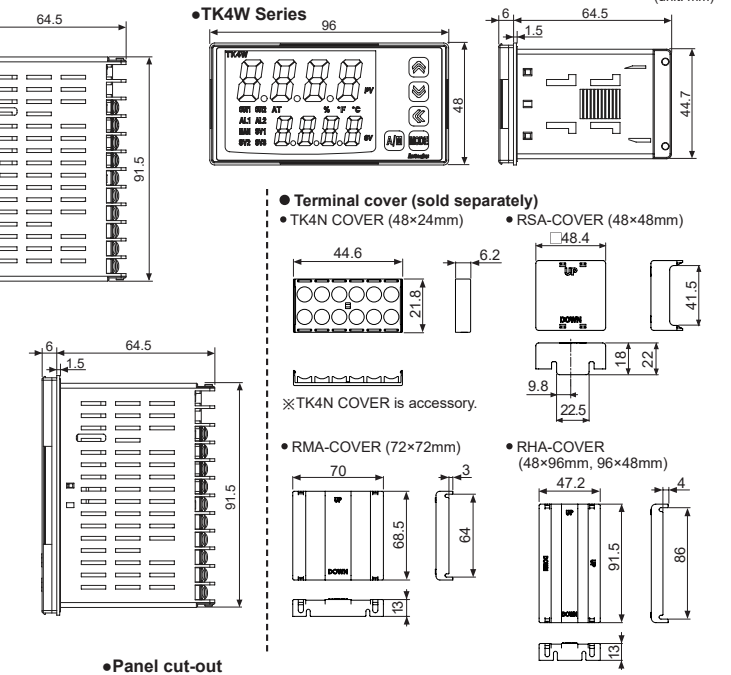
TK4M



TK4H, TK4W, TK4L



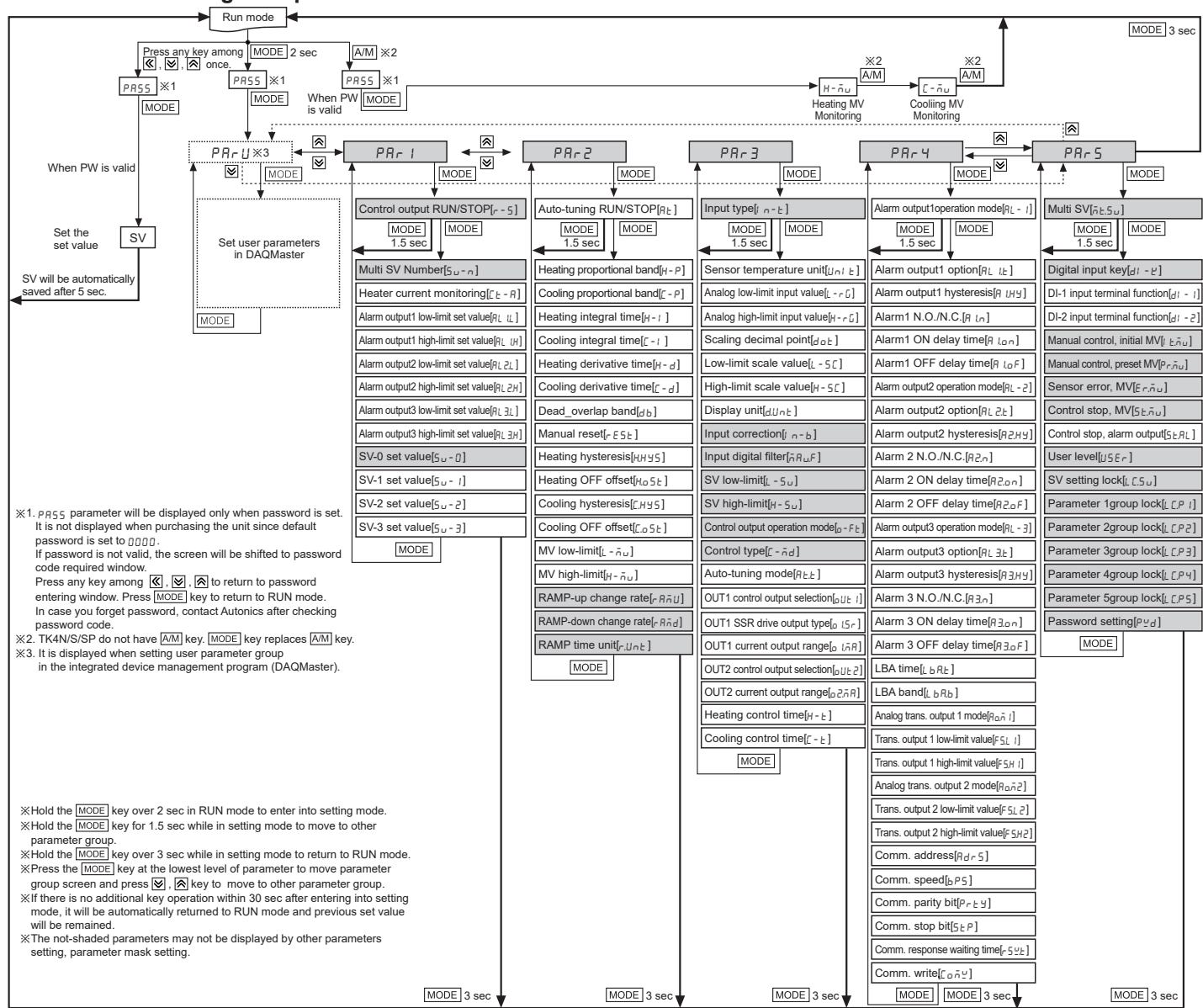
Terminal cover



Panel cut-out

Table with columns: Model, Size, A, B, C, D (unit: mm). Lists dimensions for TK4N, TK4S, TK4M, TK4H, TK4W, and TK4L.

Flow Chart for Setting Group



※1. PR55 parameter will be displayed only when password is set. It is not displayed when purchasing the unit since default password is set to 0000.
If password is not valid, the screen will be shifted to password code required window.
Press any key among \leftarrow , \rightarrow , \uparrow , \downarrow to return to password entering window. Press **[MODE]** key to return to RUN mode. In case you forget password, contact Autonics after checking password code.
※2. TK4N/SP do not have \leftarrow key. **[MODE]** key replaces \leftarrow key.
※3. It is displayed when setting user parameter group in the integrated device management program (DAQMaster).

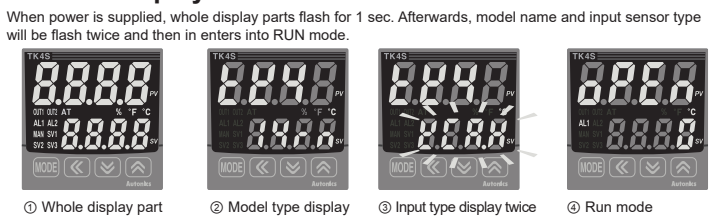
※Hold the **[MODE]** key over 2 sec in RUN mode to enter into setting mode.
※Hold the **[MODE]** key for 1.5 sec while in setting mode to move to other parameter group.
※Hold the **[MODE]** key over 3 sec while in setting mode to return to RUN mode.
※Press the **[MODE]** key at the lowest level of parameter to move parameter group screen and press \rightarrow , \leftarrow key to move to other parameter group.
※If there is no additional key operation within 30 sec after entering into setting mode, it will be automatically returned to RUN mode and previous set value will be remained.
※The not-shaded parameters may not be displayed by other parameters setting, parameter mask setting.

Input Types and Range

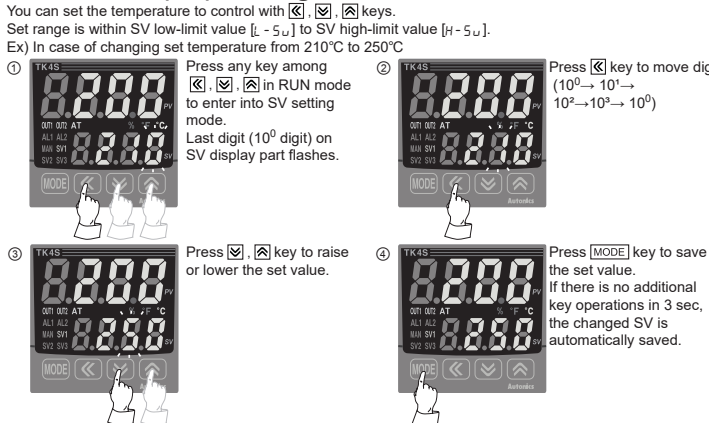
Input type	Decimal point	Display	Input range (°C)	Input range (°F)	
Thermocouple	K (CA)	1	-200 to 1350	-328 to 2463	
	J (IC)	0.1	-199.9 to 999.9	-328 to 1472	
	E (CR)	0.1	-199.9 to 800.0	-328 to 1472	
	T (CC)	1	-200 to 400	-328 to 752	
	B (PR)	1	-199.9 to 999.9	-328 to 1652	
	R (PR)	1	-199.9 to 999.9	-328 to 1652	
	S (PR)	1	-199.9 to 999.9	-328 to 1652	
	N (NN)	1	-199.9 to 999.9	-328 to 1652	
	C (TT) ^{※1}	1	-199.9 to 999.9	-328 to 1652	
	G (TT) ^{※2}	1	-199.9 to 999.9	-328 to 1652	
	L (IC)	0.1	-199.9 to 999.9	-328 to 1652	
	U (CC)	0.1	-199.9 to 999.9	-328 to 1652	
	Platine II	1	-199.9 to 999.9	-328 to 1652	
	RTD	Cu 50Ω	0.1	-199.9 to 200.0	-199.9 to 392.0
		Cu 100Ω	0.1	-199.9 to 200.0	-199.9 to 392.0
JPt 100Ω		0.1	-199.9 to 650.0	-199.9 to 999.9	
DPT 50Ω		0.1	-199.9 to 600.0	-199.9 to 999.9	
DPT 100Ω		0.1	-199.9 to 600.0	-199.9 to 999.9	
Nickel 120Ω		0.1	-199.9 to 600.0	-199.9 to 999.9	
Analog	Voltage	0-10V 0-5V 1-5V	-1999 to 9999 (Display point will be changed according to decimal point position.)		
	Current	0-100mA 0-20mA 4-20mA	-1999 to 9999 (Display point will be changed according to decimal point position.)		

※1: C (TT): Same temperature sensor as former W5 (TT)
※2: G (TT): Same temperature sensor as former W (TT)

Initial Display When Power ON



Set Value (SV) Setting



Parameter Reset

Press \leftarrow + \rightarrow + \uparrow + \downarrow to reset all parameters in memory to default value. Set [i n t] parameter to '4E5' to reset all parameters. In case password function is on, it is required to enter valid password to reset parameters. Password is also reset.

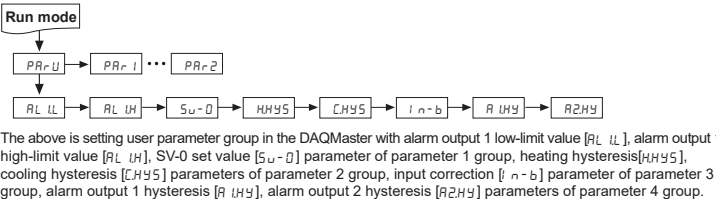
Parameter Mask

This function is able to hide unnecessary parameters to user environment or less frequently used parameters in parameter group. You can set this in the integrated device management program (DAQMaster). Masked parameters are not only displayed. The set value of masked parameters are applied. For more information, refer to the DAQMaster user manual. Visit our website (www.autonics.com) to download the DAQMaster program and the user manual.



User Parameter Group [PR-U] Setting

This function is able to set the frequently used parameters to the user parameter group. You can quickly and easily set parameter settings. User parameter group can have up to 30 parameters in the integrated device management program (DAQMaster). For more information, refer to the DAQMaster user manual. Visit our website (www.autonics.com) to download the DAQMaster program and the user manual.



Auto-tuning

Auto-tuning measures the control subject's thermal characteristics and thermal response rate, and then determines the necessary PID time constant. Application of the PID time constant realizes fast response and high precision temperature control. (When setting control type [C-d] is set as P, it is displayed.) Set [P-d] parameter to [o n] in parameter 2 group to start auto-tuning. To stop auto-tuning, change the set as [o F F]. (It maintains P, I, D values of before auto-tuning.) If sensor break error [b P E n] occurs during auto-tuning, it stops this operation. If the measured temperature is over or below the input range, it operates continuously. During auto-tuning operation, whole parameters are only available to check.

Alarm

Mode	Name	Alarm operation	Description
o F F	—	—	No alarm output
d u c c	Deviation high-limit alarm		If deviation between PV and SV as high-limit is higher than set value of deviation temperature, the alarm output will be ON.
]]]]	Deviation low-limit alarm		If deviation between PV and SV as low-limit is higher than set value of deviation temperature, the alarm output will be ON.
]]d u c	Deviation high/low-limit alarm		If deviation between PV and SV as high/low-limit is higher than set value of deviation temperature, the alarm output will be ON.
c d u	Deviation high/low-limit alarm		If deviation between PV and SV as high/low-limit is lower than set value of deviation temperature, the alarm output will be OFF.
P u c c	Absolute value high-limit alarm		If PV is higher than the absolute value, the output will be ON.
]]]] P u	Absolute value low-limit alarm		If PV is lower than the absolute value, the output will be ON.
L b R	Loop break alarm	—	It will be ON when it detects loop break.
S b R	Sensor break alarm	—	It will be ON when it detects sensor disconnection.
H b R	Heater break alarm	—	It will be ON when CT detects heater break.

※H: Alarm output hysteresis [H-HY]

Mode	Name	Description
RL-A	Standard alarm	If it is an alarm condition, alarm output is ON. If it is a clear alarm condition, alarm output is OFF.
RL-b	Alarm latch	If it is an alarm condition, alarm output is ON and maintains ON status.
RL-C	Standby sequence 1	First alarm condition is ignored and from second alarm condition, standard alarm operates. When power is supplied and it is an alarm condition, this first alarm condition is ignored and from the second alarm condition, standard alarm operates.
RL-d	Alarm latch and standby sequence 1	If it is an alarm condition, it operates both alarm latch and standby sequence. When power is supplied and it is an alarm condition, this first alarm condition is ignored and from the second alarm condition, alarm latch operates.
RL-E	Standby sequence 2	First alarm condition is ignored and from second alarm condition, standard alarm operates. When re-applied standby sequence and if it is alarm condition, alarm output does not turn ON. After clearing alarm condition, standard alarm operates.
RL-F	Alarm latch and standby sequence 2	Basic operation is same as alarm latch and standby sequence1. It operates not only by power ON/OFF, but also alarm set value, or alarm option changing. When re-applied standby sequence and if it is alarm condition, alarm output does not turn ON. After clearing alarm condition, alarm latch operates.

※Condition of re-applied standby sequence for standby sequence 1, alarm latch and standby sequence 2: Power ON Condition of re-applied standby sequence for standby sequence 2, alarm latch and standby sequence 1: Power ON, changing set temperature, alarm temperature [RL 1, RL 2] or alarm operation [RL - 1, RL - 2], switching STOP mode to RUN mode.

Factory Default

●SV setting group [S-U]				●Password input parameter			
Parameter	Factory default	Parameter	Factory default	Parameter	Factory default	Parameter	Factory default
S-U	0	PR55	0001				
●Parameter 1 group [PR-1]							
r-s	rUn	RL LH	1550	RL 3H	1550	SU-3	0000
SU-n	SU-0	RL 2L	1550	SU-0	0000		
Ct-A	00	RL 2H	1550	SU-1	0000		
RL LL	1550	RL 3L	1550	SU-2	0000		
●Parameter 2 group [PR-2]							
AL e	o F F	H-d	0000	Ho 5t	000	r AR U	000
H-p	0 100	C-d	0000	CH 5t	002	r AR d	000
C-P	0 100	db	0000	Co 5t	000	r n b	ni n
H-1	0000	r E 5t	0500	L-n u	-1000		
C-1	0000	HH 5t	002	H-n u	1000		
●Parameter 3 group [PR-3]							
i n-b	2 C R H	H-S C	1000	a-F t	H E R t	a i s r	S t n d
u n-b	o C	d U n t	o r o	C-n d	H-C	a i n A	4-20
L-r d	0000	i n-b	0000	C-n d	P i d	o U t 2	C U r r
H-r o	1000	n A u F	0001	H-p	P P	o 2 n A	4-20
d o t	00	L-S u	-200	AL t	t U n I	H-t	0200 (Relay)
L-S C	0000	H-S u	1350	o U t 1	C U r r	C-t	0020 (SSR)
●Parameter 4 group [PR-4]							
RL-1	d u c c	AL 2 n	no	L b R t	0000	b P 5	95
RL 1H	AL -A	A 2 o n	0000	L b R b	002	P r t	n o n e
RL 1L	001	A 2 o F	0000	A o n i	P u	S t P	2
A l n	no	AL -3	o F F	F 5 L 1	-200	r 5 t t	20
A l o n	0000	AL 3 t	AL -A	F 5 H 1	1350	C o n y	E n A
A l o F	0000	A 3 H y	001	A o n 2	P u		
AL -2	J J d u	A 3 n	no	F 5 L 2	-200		
AL 2 t	AL -A	A 3 o n	0000	F 5 H 2	1350		
A 2 H y	001	A 3 o F	0000	A d r 5	01		
●Parameter 5 group [PR-5]							
n b 5 u	1	P r n u	0000	L C 5 u	o F F	L C P 5	o F F
d l - 5	S t o P	E r n u	0000	L C P 1	o F F	P y d	0000
d l - 1	o F F	S t n u	0000	L C P 2	o F F		
d l - 2	o F F	S t r L	0000	L C P 3	o F F		
i t n u	A U t o	U 5 E r	S t n d	L C P 4	o F F		

User Manual

For the detail information and instructions, please refer to user manual and user manual for communication, and be sure to follow cautions written in the technical descriptions (catalog, homepage). Visit our homepage (www.autonics.com) to download manuals.

Comprehensive Device Management Program [DAQMaster]

DAQMaster is a comprehensive device management software for setting parameters and monitoring processes. DAQMaster can be downloaded from our website at www.autonics.com.

Item	Minimum specifications
System	IBM PC compatible computer with Pentium III or above
Operations	Windows 98/NT/XP/Vista/7/8/10
Memory	256MB+
Hard disk	1GB+ of available hard disk space
VGA	Resolution: 1024×768 or higher
Others	RS232C serial port (9-pin), USB port

Cautions during Use

- Follow instructions in 'Cautions during Use'. Otherwise, it may cause unexpected accidents.
- Check the polarity of the terminals before wiring the temperature sensor.
- For RTD temperature sensor, wire it as 3-wire type, using cables in same thickness and length. For thermocouple (CT) temperature sensor, use the designated compensation wire for extending wire.
- Keep away from high voltage lines or power lines to prevent inductive noise.
- In case installing power line and input signal line closely, use line filter or varistor at power line and shielded wire at input signal line.
- Do not use near the equipment which generates strong magnetic force or high frequency noise.
- Do not apply excessive power when connecting or disconnecting the connectors of the product.
- Install a power switch or circuit breaker in the easily accessible place for supplying or disconnecting the power.
- Do not use the unit for other purpose (e.g. voltmeter, ammeter), but temperature controller.
- When changing the input sensor, turn off the power first before changing.
- After changing the input sensor, modify the value of the corresponding parameter.
- 24VAC, 24-48VDC power supply should be insulated and limited voltage/current or Class 2, SELV power supply device.
- Do not overlapping communication line and power line.
- Use twisted pair wire for communication line and connect ferrite bead at each end of line to reduce the effect of external noise.
- Make a required space around the unit for radiation of heat.
- For accurate temperature measurement, warm up the unit over 20 min after turning on the power.
- Make sure that power supply voltage reaches to the rated voltage within 2 sec after supplying power.
- Do not wire to terminals which are not used.
- This unit may be used in the following environments.
 - ①Indoors (in the environment condition rated in 'Specifications')
 - ②Altitude max. 2,000m
 - ③Pollution degree 2
 - ④Installation category II

Major Products

Autonics corporation
http://www.autonics.com

HEADQUARTERS:
18, Bansong-ro 513beon-gil, Haundae-gu, Busan, South Korea, 48002
TEL: 82-51-519-3232
E-mail: sales@autonics.com

DRW170598AB